

Safety



# ADLOCK



1910 Creation of the company



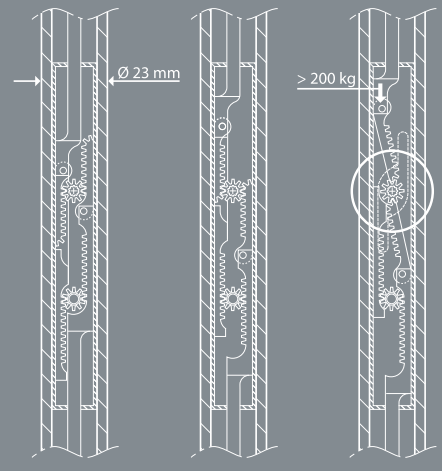
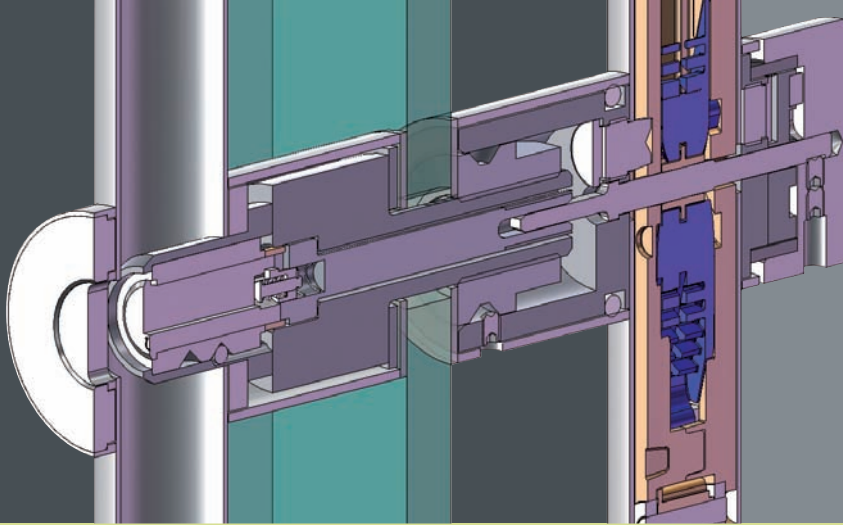
1929 A. ADLER



1967 Acquisition of the patent "mounting device for aesthetic fastening of door handles", filed 9 February 1963 by Robert Hermann

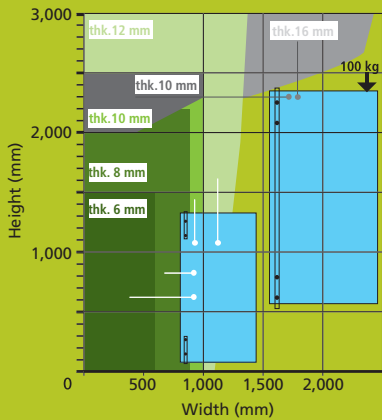


2008 Adlock patent: casement door locking device



**ADLOCK: "ready-to-install", "half-custom" and "made-to-order" products for your facades, offices, interior fittings and stores, showcases...**

round, polished or brushed stainless steel (dia. 20 to 45 mm)  
or square chromed or anodised aluminium (30 or 40 mm)



A miniaturised, self-blocking safety lock patented by ADLER S.A.S.

**Safety:** Opening/closing by a complete tour, fatigue tested at 200,000 cycles. Self-locking, the bolts resist 200 kg of pressure.

**Comfort:** A synchronising gear mounted on stainless steel ball bearings balances the upper and lower casement bolts, cancelling out all parasitic friction or recall reaction.

**Ergonomics:** The solution to safely lock, at chest height, doors in all thicknesses and up to 6 m in height (3 m as standard).

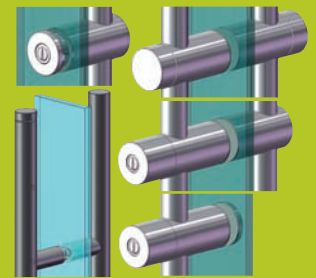
**Transparency:** Handles and hinges seamlessly integrate and reinforce even the most large-scale projects.

A high performance glass fastening principle

**Innovation:** The technique and materials implemented, such as the original shape of the mounting points, allow the M8 screws to be fully tightened without any risk for the glass, and offering slippage resistance of 120 kg per point, without any risk of relaxation.

**Aesthetics:** Miniaturised, the connectors or hinges - mounted on free-swinging pivots or door closers with square or rectangular pivot pins - are THE solution for tall and narrow doors or very heavy/wide doors with standard construction clearances.

**Safety:** A crimped cap renders the screw invisible and makes the system unremovable and tamperproof, without prior drilling.



**ADLER S.A.S., technicians at your service.**

- Design
- Finesse
- Safety
- Ergonomics
- Customisation



- Miniaturisation
- Pure mechanics
- Patented lock
- Optimised design
- Standardised Components



E-mail: [commercial@adler-sa.com](mailto:commercial@adler-sa.com)  
 Site: [www.adler-sa.fr](http://www.adler-sa.fr)  
 Tel.: +33 (0)1 60 03 62 00 • Fax: +33 (0)1 60 03 62 49  
 Z.A. La Barogne • 9, Av. des 22 Arpents • 77230 Moussy le Neuf • France  
 SAS with capital of 2,014,000 euros • Meaux Corporate and Trade Register