

SUPER VENUS

FT 782 0304

APPLICATIONS

The **SUPER VENUS** line combines a very modern design (registered model) with a completely original mechanism (patented by **ADLER S.A.**) and noticeable mechanical properties (load up to 50 kg).



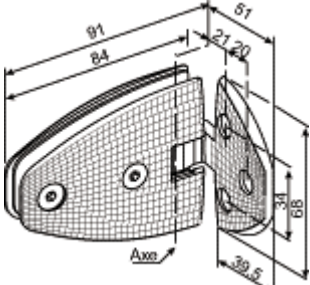
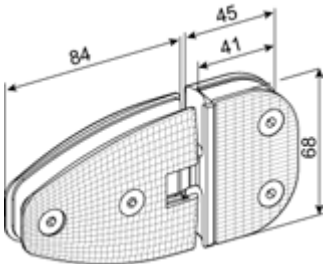
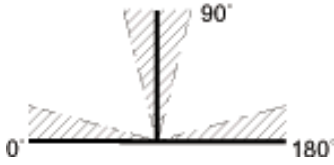
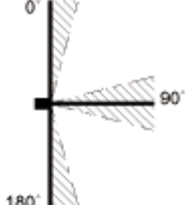
They ensure return to 0°, 90° and 180° in a $\pm 10^\circ$ zone and stopping in all other positions. For a very precise return position, it is recommended to complete the installation with magnetic weatherstrip.

The slightly domed leaves and rounded edges catch the eye discretely. A single corrosion-proof and practically wear-proof part performs the function traditionally provided by pistons and springs, thereby eliminating any risk of jamming. They combine ruggedness and simplicity :

- The plate and cam made of one piece as is the bracket plate,
- The 6 mm hinge pin and screws are made of stainless steel.

The **SUPER VENUS** line includes 2 hinge models :

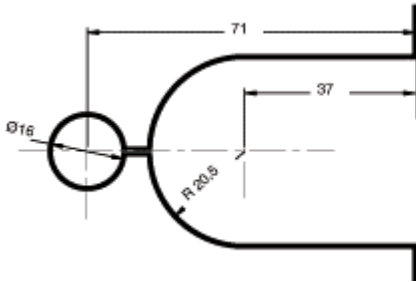
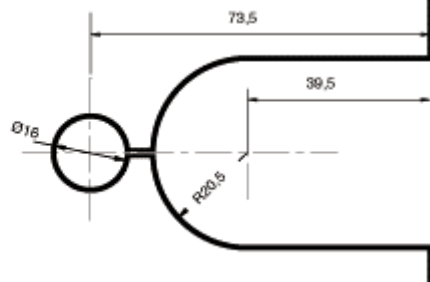
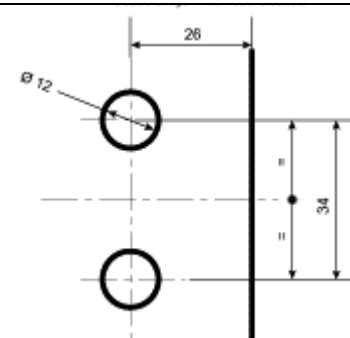
- Wall to glass,
- Glass/glass at 180°.

Model	Wall to glass	Glass / Glass 180°
		
Sketch		
Installations		

ASSEMBLING

Door :

- Height x width : 2 m x 1 m
- Thickness : 8 or 10 mm
- Load : 50 kg for one pair
- Notches : see sketch

	Wall to glass	Glass/Glass 180°
Spacing from the support: <ul style="list-style-type: none"> - Normal notch - Deep notch 	7 mm 4,5 mm	8,5 mm 6 mm
Notch for opening panel (common to both models)	 <p>Normal notch</p>	 <p>Deep notch</p>
Notch for fixed panel (glass / glass model)		

FINISH

The standard line is available with four finishes : chrome-plated brass, mother of pearl, gold-plated and white (RAL 9010).

Other finishes are possible. Consult **ADLER S.A.** for quantities and delay.

ACCESSORIES

The accessories for use with doors and gates are included in the **ADLER S.A.** catalogue, e.g.:

- Pull knobs, see 699 family
- Seals, see 790 family
- Stops, see 799 family

PART LIST

DESCRIPTION	PART NUMBE R	SOLD BY
VENUS hinges with Wall to glass - Chrome - Mother of pearl - Gold - White (RAL 9010)	647 00B 647 01C 647 02D 647 03F	SET OF 2 " " "
VENUS hinges Glass/glass 180° - Chrome - Mother of pearl - Gold - White (RAL 9010)	647 04G 647 05H 647 06J 647 07K	" " " "
Lip seal - Translucent PVC section	790 01W 790 02X	Lg 2,20m "
Magnetic PVC weather strip - magnetic seal 90° - North - magnetic seal 90° - South - magnetic seal 180°	790 03Y 790 04Z 790 05A	Lg 2,20m " "
ADLER ® single brass knob to be glued - Chrome - Matt chrome - Polished	699 65Z 699 71G 699 66A	Unit " "
ADLER ® single brass knob to be screwed - Chrome - Matt chrome - Polished - White	699 67B 699 73J 699 68C 699 72H	Unit " " "
ADLER ® double brass knob - Chrome - Matt chrome - Gilded - White	699 69D 699 75L 699 70F 699 74X	" " " "

ADLER S.A.

A Complete Technical service to the Glass Industry

Z.A. LA BAROGNE – 17 avenue des 22 Arpents - FR 77230 MOUSSY LE NEUF

Tel. : 33.1.60.03.62.00 Fax : 33.1.60.03.62.49

e-mail : adler-sa@wanadoo.fr Web site : www.adler-sa.fr