

MINIBOUÛCHE

FT 781 0304
Rév.1 - 06/04

APPLICATIONS

MINIBOUÛCHE hinges are designed for doors 8 to 10 mm thick, especially made of glass. They hold the door firmly without jamming in all positions except a 15° zone on either side of the balanced self-closing position (90°).

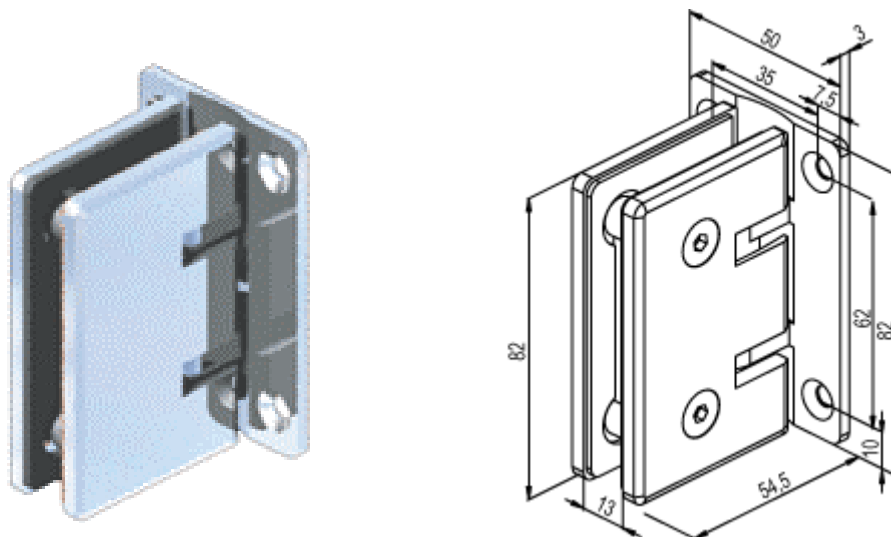
MINIBOUÛCHE hinges are mainly used in bathrooms, shower stalls and separation gates. Their smaller size, bevelled edges and round shaped design distinguish them of the **ISOBOUÛCHE**® line from which they are issued.

MINIBOUÛCHE hinges combine a modern design and a traditional mechanism, (patented by **ADLER S.A.** in 1976).

The **MINIBOUÛCHE** line includes 4 hinges models :

- wall/glass (1)
- wall/glass with half wall plate (2)
- glass/glass 180° (3)
- glass/glass 90° (4)

1) WALL / GLASS



ADLER S.A.

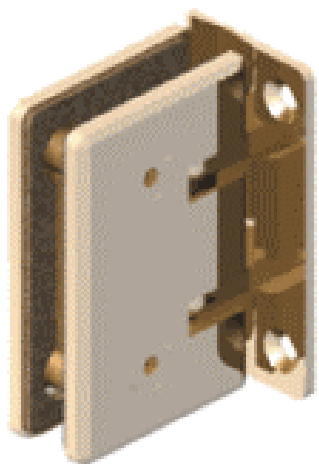
A Complete Technical service to the Glass Industry

Z.A. LA BAROGNE – 17 avenue des 22 Arpents - FR 77230 MOUSSY LE NEUF

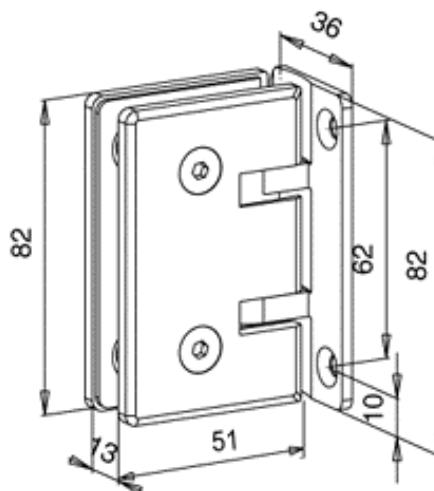
Tel. : 33.1.60.03.62.00 Fax : 33.1.60.03.62.49

e-mail : adler-sa@wanadoo.fr Web site : www.adler-sa.fr

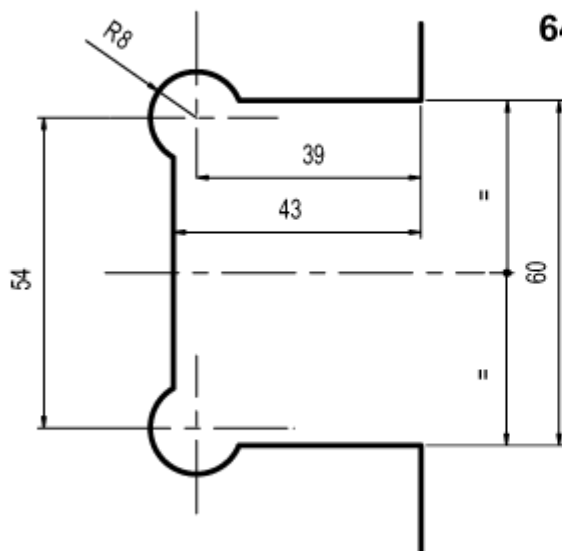
2) WALL / GLASS WITH HALF WALL PLATE



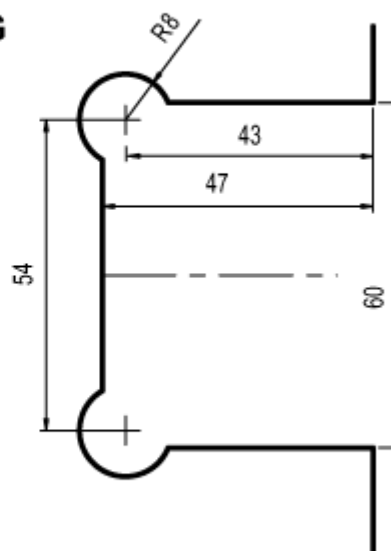
Encoche normale



Encoche approfondie



647 50G



Encoche normale : écartement du support 6.5 mm
 Normal cutouts : 6.5 mm space between panels
 Encaje normal : distancia del soporte 6.5 mm
 Normaler Einschnitt : 6.5 mm Entfernung von Halter

Encoche approfondie : écartement du support 2.5 mm
 Deeper cutouts : 2.5 mm space between panels
 Encaje profund : distancia del soporte 2.5 mm
 Vertiefter Einschnitt : 2.5 mm Entfernung von Halter

ADLER S.A.

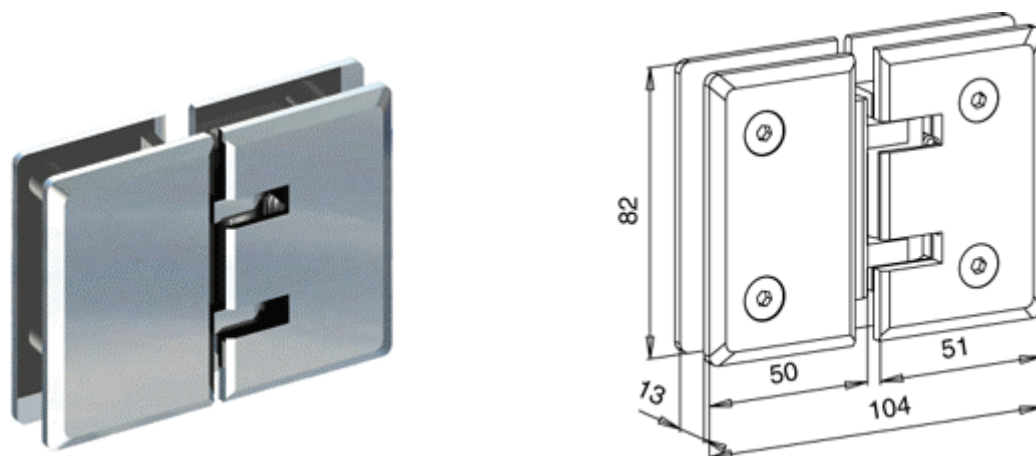
La Technique au Service du Verre

Z.A.La Barogne - 17, avenue des 22 Arpents - 77230 MOUSSY LE NEUF

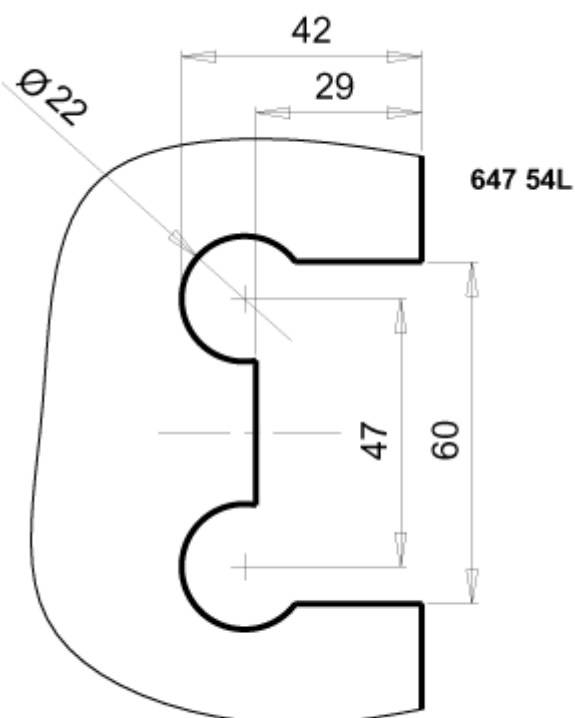
Tél.: 01.60.03.62.00 - Fax : 01.60.03.62.49

e-mail : adler-sa@wanadoo.fr Site internet : www.adler-sa.fr

3) **GLASS / GLASS 180°**



Sur le fixe / On mounting panel / Sobre el fijo / Für Festvolumen



Sur l'ouvrant, encoche 647 50G (normale ou approfondie)
 Cutouts on hinged panel : 647 50G (normal or deeper)
 Sobre la puerta : encaje 647 50G (normal ó profunda)
 Einschnitt für Tür : 647 50G (normal oder vertieft)

ADLER S.A.

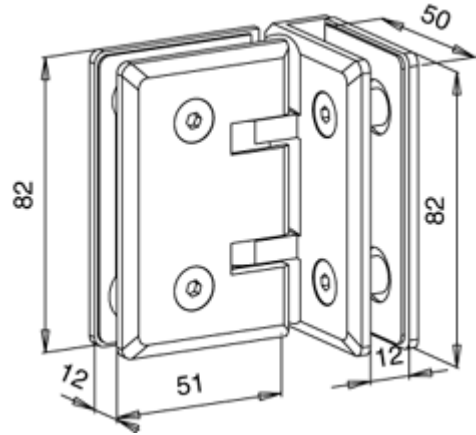
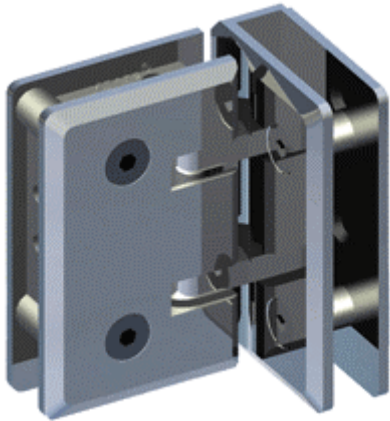
A Complete Technical service to the Glass Industry

Z.A. LA BAROGNE – 17 avenue des 22 Arpents - FR 77230 MOUSSY LE NEUF

Tel. : 33.1.60.03.62.00 Fax : 33.1.60.03.62.49

e-mail : adler-sa@wanadoo.fr Web site : www.adler-sa.fr

4) **GLASS / GLASS 90°**

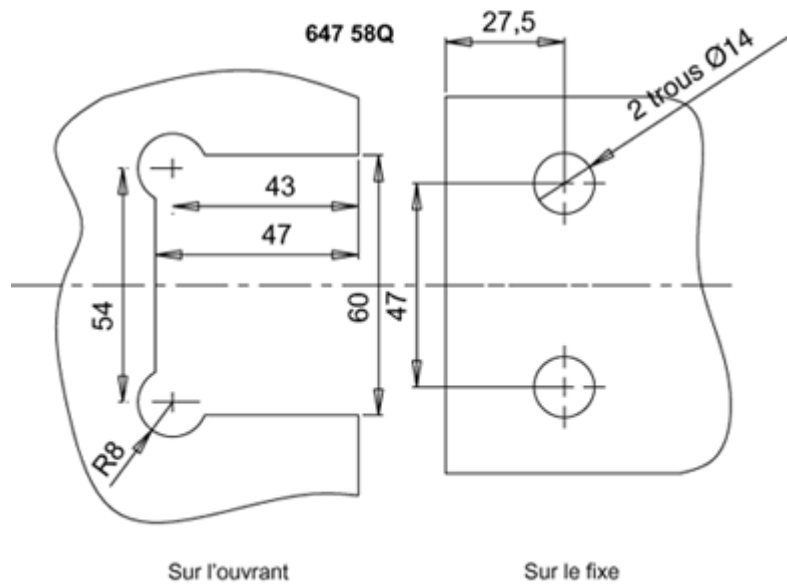


Ecartement entre glaces de 8 mm : 7 mm
 Ecartement entre glaces de 10 mm : 6 mm

7 mm space between panels of 8 mm
 6 mm space between panels of 10 mm

Distancia entre los dos vitrios de 8 mm : 7 mm
 Distancia entre los dos vitrios de 10 mm : 6 mm

7 bzw. 6 mm Entfernung zw. Glas von 8 bzw. 10 mm Glasdicke



ADLER S.A.

A Complete Technical service to the Glass Industry

Z.A. LA BAROGNE – 17 avenue des 22 Arpents - FR 77230 MOUSSY LE NEUF

Tel. : 33.1.60.03.62.00 Fax : 33.1.60.03.62.49

e-mail : adler-sa@wanadoo.fr Web site : www.adler-sa.fr

ASSEMBLING

. Door :

- Height x width : 180 x 70 cm
- Thickness : 8 to 10 mm
- Maximum load : 31 kg / pair (for bigger sizes, refer to "calculation").

INSTALLATION

- . Remove the leaves and counterleaves and attach the **MINIDOUÇHE** hinges flat on the door jam, making sure they are aligned.
- . Check for the presence of the cork gaskets and install the leaves and counterleaves on the door.
- . Tighten the screws completely (use an Allen wrench). Recommended torque : 0.25 m.kg
- . Make sure there is no risk of opening the door more than 90° beyond the balanced position. If there is, provide a stop.

DECOR

MINIDOUÇHE hinges are made of brass and are normally available in four finishes : chrome, matt chrome, gold and white (RAL 9010).

Other finishes are possible. Consult **ADLER S.A.** for quantities and lead time.

ACCESSORIES

The accessories for use with doors and gates are included in the **ADLER S.A.** catalogue, e.g.:

- Pull knobs, see 699 family
- Seals, see 790 family
- Stops, see 799 family

ADLER S.A.

A Complete Technical service to the Glass Industry

Z.A. LA BAROGNE – 17 avenue des 22 Arpents - FR 77230 MOUSSY LE NEUF

Tel. : 33.1.60.03.62.00 Fax : 33.1.60.03.62.49

e-mail : adler-sa@wanadoo.fr Web site : www.adler-sa.fr

NOMENCLATURE

DESCRIPTION	PART NUMBER	SOLD BY
MINIDORCHE hinges wall/glass - Chromed - Matt chromed - Gilded - White (RAL 9010)	647 50G 647 51H 647 52J 647 53K	Set of 2 " " "
MINIDORCHE hinges wall/glass with half wall plate - Chromed - Matt chromed - Gilded	647 54L 647 55M 647 56N	" " "
MINIDORCHE hinges glass/glass 180° - Chromed - Matt chromed - Gilded	647 58Q 647 59R 647 60S	" " "
MINIDORCHE hinges glass/glass 90° - Chromed - Matt chromed - Gilded	647 62U 647 63V 647 64W	" " "
Sealing strip with central lip for 8 mm glass thickness	790 02X	Lg 2,20 m
Sealing strip with central lip for 10 mm glass thickness	790 06B	Lg 2,20 m
Magnetic PVC sealing strip with white magnet for 6 and 8 mm glass thickness: - Magnetic sealing strip 90° - North - Magnetic sealing strip 90° - South - Magnetic sealing strip 180°	790 03Y 790 04Z 790 05A	Lg 2,20m " "
PVC sealing strip with soft grained lips for 6 and 8 mm glass thickness : - Sealing strip for bottom of door - Tubular sealing strip - Sealing strip with offset lip	790 07C 790 08D 790 09F	unit " "
ADLER [®] raising button, to be glued - Chromed - Matt chromed - Polished	699 65Z 699 71G 699 66A	unit " " "
ADLER [®] raising button, single, to be screwed- - Chromed - Matt chromed - Polished - White (RAL 9010)	699 67B 699 73J 699 68C 699 72H	unit " " "
ADLER [®] raising button, double - Chromed - Matt chromed - Gilded - White (RAL 9010)	699 69D 699 75L 699 70F 699 74X	unit " " "